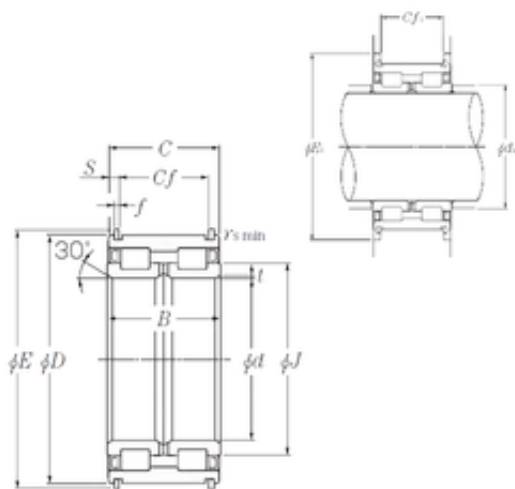




SL04-5032NR NTN Cylindrical Roller Bearing

Bearing No. SL04-5032NR



SL04-5032NR Bearing 2D drawings and 3D CAD models

Size	160x240x109 mm
Bore Diameter	160 mm
Outer Diameter	240 mm
Width	109 mm
d	160 mm
D	240 mm
B	109 mm
C	108 mm
E1	275 mm
t	2 mm
f	3 mm
r min.	1,1 mm
E	248,5 mm
J	191 mm
S	9,5 mm
da	167 mm
Cf	89 mm
Cf1	89 mm
Weight	18,2 Kg
Basic dynamic load rating (C)	720 kN
Basic static load rating (C0)	1 390 kN
Category	Roller Bearings
Inventory	0.0
Manufacturer Name	NTN
Minimum Buy Quantity	N/A
Weight / Kilogram	16.8



Luoyang SDZ Machinery Equipment Co., ...

Product Group	B04144
---------------	--------