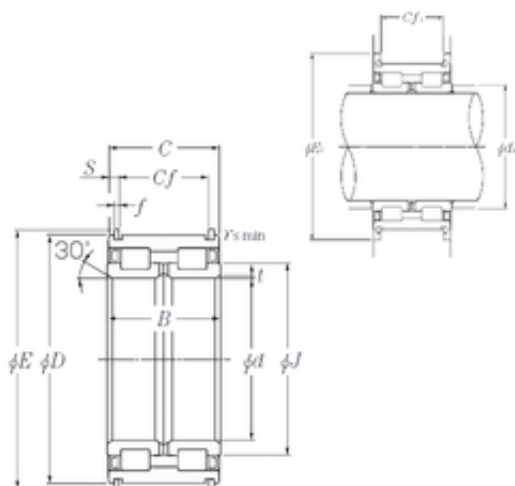




SL04-5020NR NTN Cylindrical Roller Bearing

Bearing No. SL04-5020NR



SL04-5020NR Bearing 2D drawings and 3D CAD models

Size	100x150x67 mm
Bore Diameter	100 mm
Outer Diameter	150 mm
Width	67 mm
d	100 mm
D	150 mm
B	67 mm
C	66 mm
E1	180 mm
t	1,5 mm
f	2,5 mm
r min.	0,6 mm
E	156,3 mm
J	118,5 mm
S	6 mm
da	106 mm
Cf	54 mm
Cf1	54 mm
Weight	4,03 Kg
Basic dynamic load rating (C)	330 kN
Basic static load rating (C0)	580 kN
Category	Roller Bearings
Inventory	0.0
Manufacturer Name	NTN
Minimum Buy Quantity	N/A
Weight / Kilogram	4.136



Luoyang SDZ Machinery Equipment Co., ...

Product Group	B04144
---------------	--------