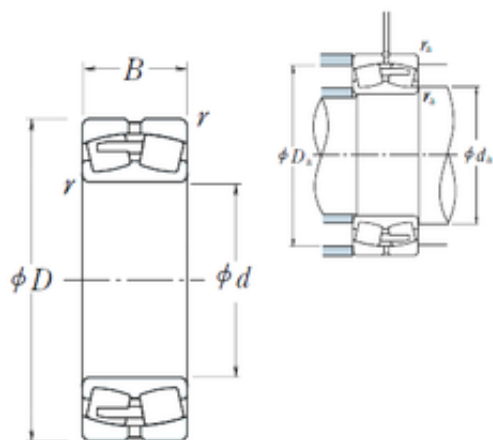




230/1060CAE4 NSK Spherical Roller Bearing



Bearing No. 230/1060CAE4

Size	1060x1500x325 mm
Bore Diameter	1060 mm
Outer Diameter	1500 mm
Width	325 mm
d	1060 mm
D	1500 mm
B	325 mm
C	325 mm
r min.	9,5 mm
da min.	1104 mm
Da min	1368 mm
Da max.	1456 mm
ra max.	8 mm
Weight	1790 Kg
Basic dynamic load rating (C)	13000 kN
Basic static load rating (C0)	31500 kN
(Grease) Lubrication Speed	120 r/min
(Oil) Lubrication Speed	160 r/min
Calculation factor (e)	0,21
Calculation factor (Y0)	3,2
Calculation factor (Y2)	4,9

230/1060CAE4 Bearing 2D drawings and 3D CAD models